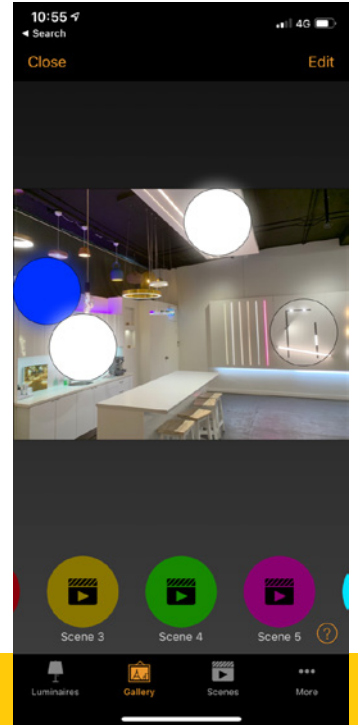
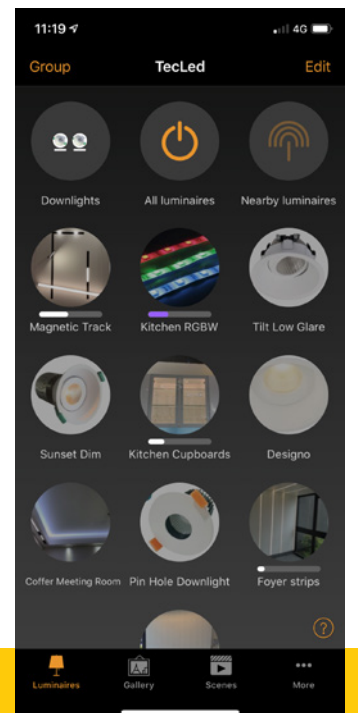


## CASAMBI

Ultimate lighting control system



Simple, intuitive  
finger touch configuration



Control individual or groups  
of luminaires

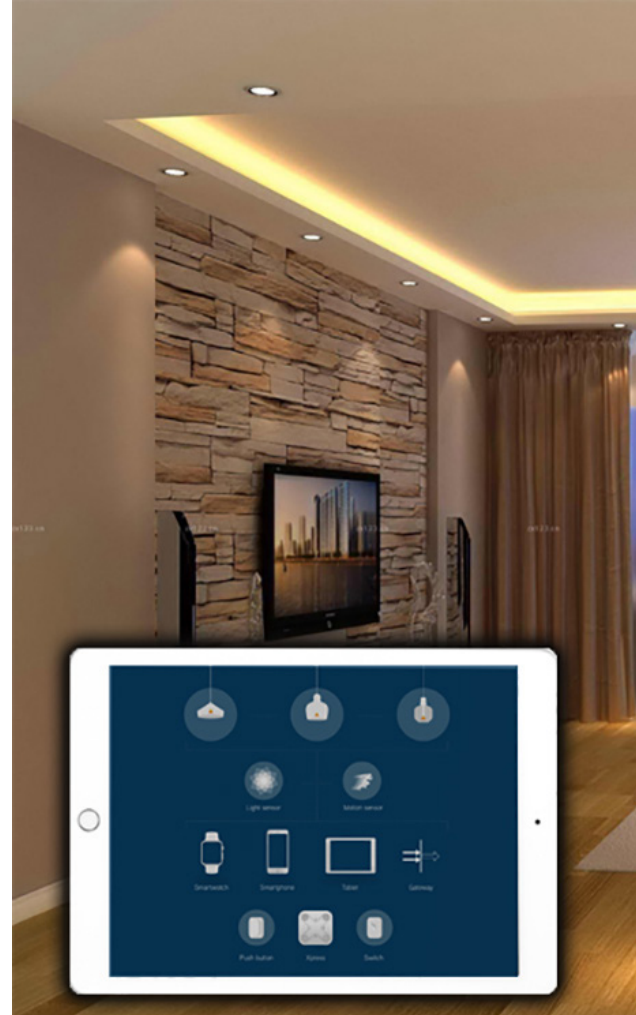
# CASAMBI

SO SMART. SO SIMPLE.

The Casambi lighting control solution provides all the control options that are expected from a full-featured professional lighting control solution.

With a simple finger touch on your smart device, you can control brightness, colour and colour temperature of one or a group of LED lights in your home, office, store or theatre.

And all with the Casambi app via a Bluetooth® Low Energy, secure, wireless connection.



## FEATURES

- Colour temperature, RGB and dimming control
- Luminaires can be grouped for simultaneous or individual control
- Infinitely scalable to control one room or an entire building
- Configure and save favourite settings, scenes and animations
- Intuitive app-driven on both iOS and Android smart devices
- Mesh wireless Bluetooth® Low Energy control
- Compatible with most existing LED luminaires and fittings
- Retrofittable with minimum fuss, either permanently or temporarily
- Surprisingly few components

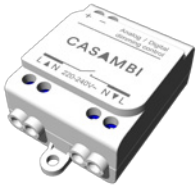


## BENEFITS

- Future-proof, state-of-the-art solution
- High scalability from single room to enterprise level
- Ease and speed of installation
- Rapid reconfiguration and infinitely flexible
- Manual override if no hand-held device is available

# CASAMBI COMPONENTRY

## CONTROLLERS



### CBU-ASD

A wireless control unit for LED and halogen drivers with 0-10V, 1-10V or DALI dimming interface.



### CBU-PWM4

Bluetooth controllable, Casambi enabled four channel PWM dimmer for constant voltage LED loads, such as LED strips and constant voltage LED modules.



### CBU-ASR

A multi-purpose wireless control unit with two 0-10 VDC outputs. For tunable white applications, it is an ideal match for one or two channel dim-to-off drivers that provide auxiliary power.



### CBU-TED

A Bluetooth controllable, Casambi enabled trailing-edge dimmer for operation of incandescent lamps, dimmable LED lamps and dimmable LED control gear. It can be installed behind a traditional wall switch, inside a luminaire or into a ceiling outlet box.



### CBU-DCS

Can be used with a DALI sensor for presence detection or daylight harvesting, or it can be used for controlling DALI drivers that have an integrated DALI bus power supply. When used with drivers it supports range of options, including tuneable white control and RGB control.



### Xpress

A wireless user interface configured via the Casambi app. The four target buttons can control dimming, a scene or an animation or simply one luminaire, one luminaire group or all lamps together and colour temperature.

## LED CASAMBI-READY TRIDONIC DRIVERS

### 24V CONSTANT VOLTAGE



LC-35W    LC-60W    LC-100W    LC-150W

Dimmable 24V constant voltage LED Drivers for flexible constant voltage strips. basicDIM Wireless enables different dimming options. Automatically forms a wireless communication network with up to 127 nodes. Dimming range 1 to 100 %.

### CONSTANT CURRENT



LC-10W    LC-17W    LC-25W    LC-45W

Dimmable built-in constant current LED Drivers for LED luminaires. basicDIM Wireless. Automatically forms a wireless communication network with up to 127 nodes. Dimming range 1 to 100 %.

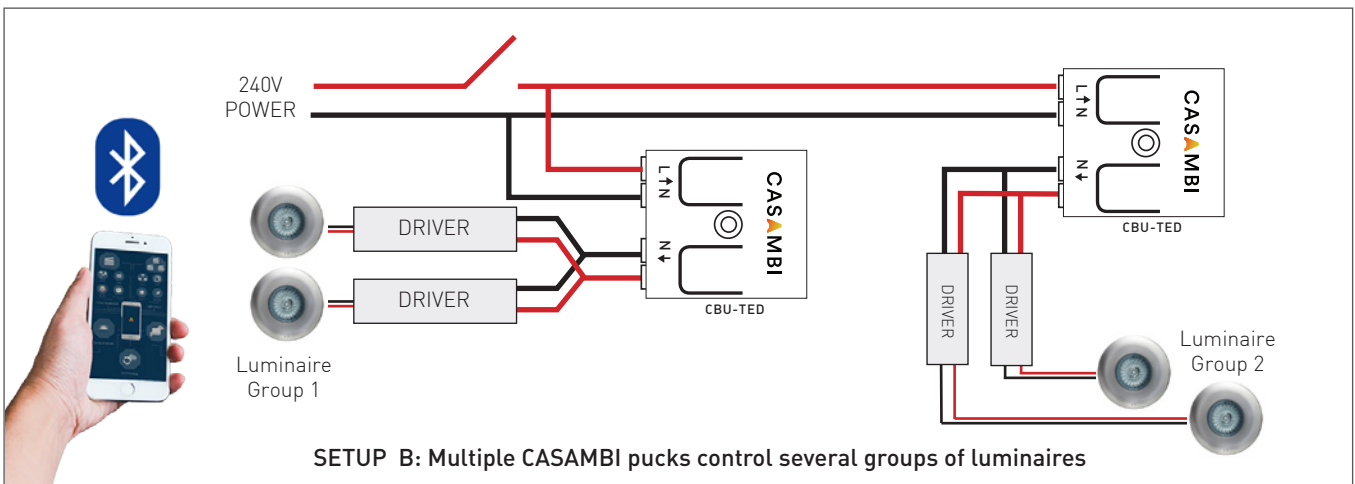
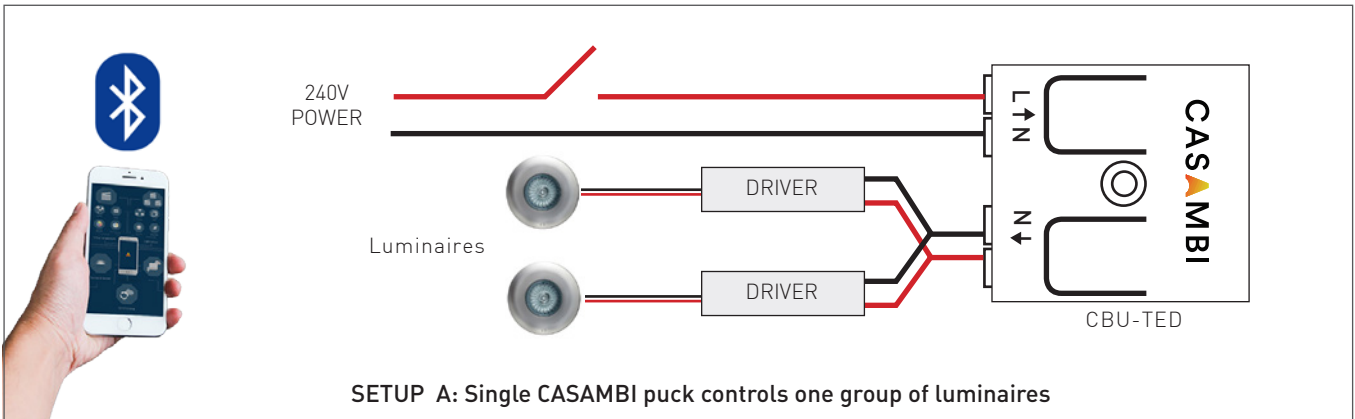
### 24V CONSTANT VOLTAGE DRIVER SPECIFICATIONS

Model	Wattage	Rated Voltage Supply	Size mm (HxWxL)	Type	Hours Lifespan	Suits	IP Rating
LC-35W/24V	35W	220 - 240V	30.2 x 43 x 195	Remote	50,000	CASAMBI	IP20
LC-60W/24V	60W	220 - 240V	30.2 x 43 x 225	Remote	50,000	CASAMBI	IP20
LC-100W/24V	100W	220 - 240V	29.8 x 43 x 295	Remote	50,000	CASAMBI	IP20
LC-150W/24V	150W	220 - 240V	30.2 x 43 x 325	Remote	50,000	CASAMBI	IP20

### CONSTANT CURRENT DRIVER SPECIFICATIONS

Model	Milliamps	Wattage	Rated Voltage Supply	Size mm (HxWxL)	Type	Hours Lifespan	Suits	IP Rating
LC-10W	150 - 400mA	10W	220 - 240V	30 x 43 x 130	Remote	100,000	CASAMBI	IP20
LC-17W	250 - 700mA	17W	220 - 240V	30 x 43 x 130	Remote	100,000	CASAMBI	IP20
LC-25W	350 - 1050mA	25W	220 - 240V	30 x 43 x 130	Remote	100,000	CASAMBI	IP20
LC-45W	500 - 1400mA	45W	220 - 240V	30 x 43 x 150	Remote	100,000	CASAMBI	IP20

# CASAMBI TYPICAL WIRING



CASAMBI can be retrofitted to entire buildings so that each lighting zone can be remotely and independently controlled. Zones may be temporarily grouped, programmed to switch on and off at designated times and even respond to motion detection.

Talk to our technical team who will only be too happy to assist you in specifying, acquiring, installing and configuring a CASAMBI system at your premises.